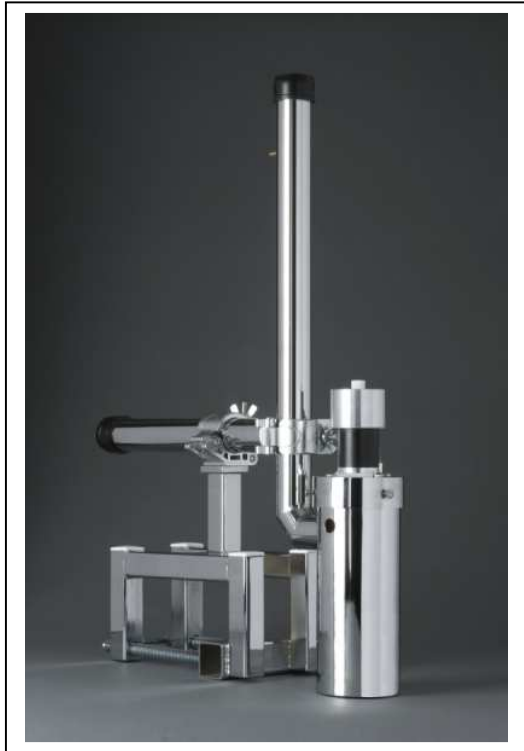


The Cavitor™

A New Method of Gas Extraction

from iBall Instruments®



- Rugged Steel Construction
- Powder Coated Finish
- 1,000 lb Test Clamping System
- Stainless Steel Forks
- Lightweight and Easy to Install
- Powered from the Bloodhound
- Sealed D.C. Motor
- Operates on Low-Voltage D.C.
- Extreme Torque to Weight Ratio
- Extracts more gas than agitators
- Field Replaceable Beater Assembly
- Made in USA

See Detailed Specifications on
Reverse Side

The *Cavitor™* is available from:

Myron Butler
405-341-2434
www.iballinstruments.com

Bloodhound is a Trademark of iBall Instruments LLC

Cavitator™ Specifications

ITEM	NOMINAL	RANGE	DETAIL/NOTES
DC Motor	1/8 HP	12 – 24VDC <4 Amps	Sealed construction Made in U.S.A., UL recognized, CE compliant 4 pole, neodymium magnets Replaceable as an assembly 100% waterproof to 4 inches -20 to +155 Deg F Operation Peak Torque – 1,000 oz-in Max Peak Stall Torque - 500 oz-in
Housing	.095"	*	Welded Steel Construction (10-year warranty)
Cap Assembly	.1875"	*	Welded Steel Construction (10-year warranty)
Condensation Tube	.092	*	Welded Steel Construction (10 year warranty)
Finish	*	*	Black Powder Coat (Chemical Resistant Primer with Polypropylene Powder Coating)
Hardware	*	*	Stainless Steel
Power Supply (See Note)	*	110VAC/ 220VAC Input	Optional Power Supply available if used without Bloodhound Gas Detection System
Beaters	*	*	Stainless Steel press fit on balanced shaft steel
Clamps	*	*	1,000 lb Test "hamburger clamps" Cast Aluminum
Shaker Clamps	*	*	Welded to all-steel clamping assembly
Total Weight	30.2 lbs	*	Includes clamping assembly and motor/beater assembly
Dimensions	34.0"	*	Total Height

Note: Cavitator is normally powered from Bloodhound Gas Detector and Chromatograph System.
Replacement parts Available from the Manufacturer



iBall Instruments® LLC - 19 N. Broadway – 3rd Floor - Edmond, OK 73034
405-341-2434
Sales and Technical Support
www.iballinstruments.com